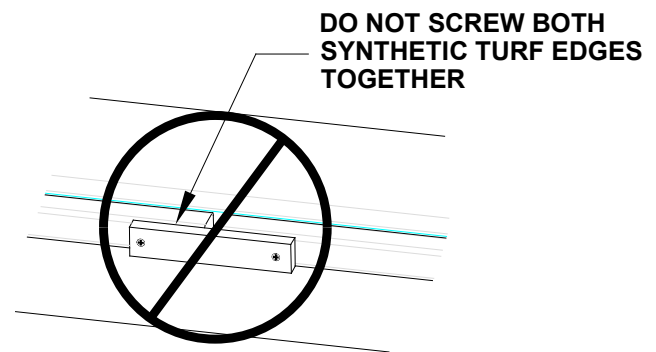


**DETAIL A**



NOMINAL DESCRIPTION	PRODUCT NUMBER	COLOR	ACTUAL DIMENSION D x H x L	MINIMUM BEND RADIUS	GAP
2 x 2 x 12	100048028	BLACK	1.50in x 1.50in x 12ft 3.81cm x 3.81cm x 3.65m	36"	1/2" - 3/4"

**SYNTHETIC TURF EDGING DETAIL # 315-A**

MADE IN USA by EPIC PLASTICS  
 104 E. TURNER RD, LODI CA 95240  
 www.epicplastics.com

209.333.6161

SYNTHETIC TURF EDGE IS INTENDED FOR NON-STRUCTURAL USE ONLY