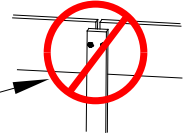
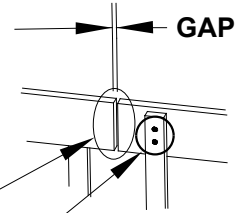


USE COURSE WOOD WORKING TOOLS FOR CUTTING AND DRILLING.

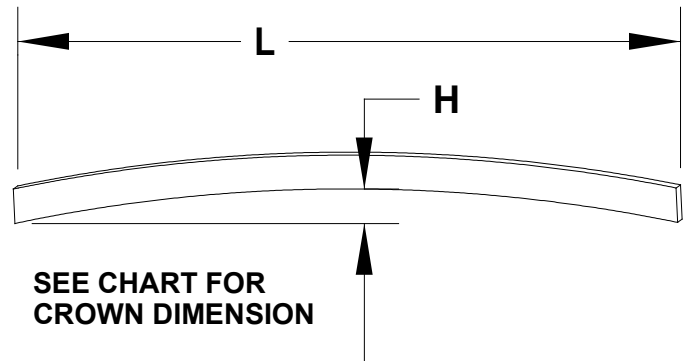
ALLOW FOR THERMAL EXPANSION AND SHRINKAGE BY LEAVING GAPS BETWEEN END OF BOARDS.

USE PLATED SCREWS TO JOIN BOARD TO STAKE.

DO NO SCREW BOTH BOARDS TOGETHER.



SEE CHART FOR BEND RADIUS



PRODUCT NUMBER	NOMINAL DESCRIPTION	COLOR	ACTUAL DIMENSION D x H x L	MINIMUM RADIUS	GAP	MAXIMUM CROWN H / L
100041851	4 X 20	CARMEL BROWN	.55 in x 3.35 in x 20 ft 1.40cm x 8.5cm x 6.09m	36"	1/8"	19 in / 20 ft
100036756	6 X 20		.55 in x 5.35 in x 20 ft 1.40cm x 13.58cm x 6.09m			9 in / 20 ft

EPIC EDGE COMPOSITE HEADER BOARD DETAIL # 210-A

MADE IN USA by EPIC PLASTICS
 104 E. TURNER RD, LODI CA 95240
 www.epicplastics.com

209.333.6161

EPIC EDGE BOARD IS INTENDED FOR NON-STRUCTURAL USE ONLY