

USE COURSE WOOD WORKING TOOLS FOR CUTTING AND DRILLING.

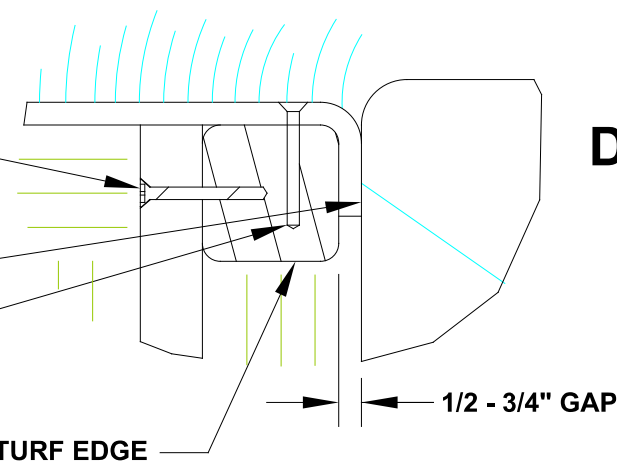
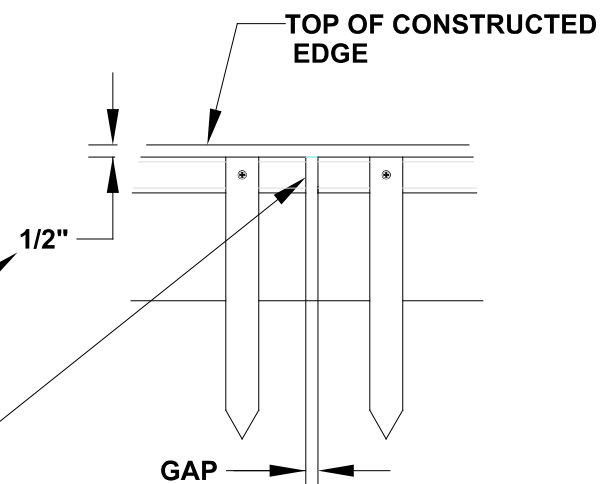
INSTALL SYNTHETIC TURF EDGE 1/2" BELOW TOP OF CONSTRUCTED EDGE.

ALLOW FOR THERMAL EXPANSION AND CONTRACTION BY LEAVING GAPS BETWEEN END OF TURF EDGES (1/2" - 3/4").

USE GALVANIZED SCREWS TO JOIN 2 X 2 TURF EDGE TO STAKE.

LEAVE 1/2" - 3/4" GAP BETWEEN 2x2 TURF EDGE AND CONSTRUCTED EDGE. TUCK IN ARTIFICIAL TURF IN THE GAP

USE STAPLES, NAILS OR SCREWS TO SECURE ARTIFICIAL TURF TO SYNTHETIC TURF EDGE.



DETAIL A

AVAILABLE ACCESSORIES FOR 2 x 2 SYNTHETIC TURF EDGE		
ACCESSORY DESCRIPTION AND COLOR	ACTUAL DIMENSION	PRODUCT NUMBER
12 BENDA BOARD PLASTIC STAKE / REDWOOD	.67in x 11.75in x 1.38in 1.70cm x 29.84cm x 3.5cm	100036740
18 BENDA BOARD PLASTIC STAKE / REDWOOD	.67in x 17.75in x 1.38in 1.70cm x 45.08cm x 3.5cm	100036741
12 BENDA BOARD PLASTIC STAKE / SAND	.67in x 11.75in x 1.38in 1.70cm x 29.84cm x 3.5cm	100036742
12 BENDA BOARD PLASTIC STAKE / CARMEL BROWN	.67in x 11.75in x 1.38in 1.70cm x 29.84cm x 3.5cm	100046315
12 PRE-DRILLED STAKE / TEAK BROWN	.67in x 11.75in x 1.38in 1.70cm x 29.84cm x 3.5cm	200102648
18 PRE-DRILLED STAKE / TEAK BROWN	.67in x 17.75in x 1.38in 1.70cm x 45.08cm x 3.5cm	200102649
#6 GALVANIZED SCREWS	2in 5.08cm	200079376

NOMINAL DESCRIPTION	PRODUCT NUMBER	COLOR	ACTUAL DIMENSION D x H x L	MINIMUM BEND RADIUS	GAP	RECOMMENDED ACCESSORIES
2 x 2 x 12	100048028	BLACK	1.50in x 1.50in x 12ft 3.81cm x 3.81cm x 3.65m	36"	1/2" - 3/4"	ALL LISTED

SYNTHETIC TURF EDGING DETAIL # 315

MADE IN USA by EPIC PLASTICS
104 E. TURNER RD, LODI CA 95240
www.epicplastics.com

SYNTHETIC TURF EDGE IS INTENDED FOR NON-STRUCTURAL USE ONLY